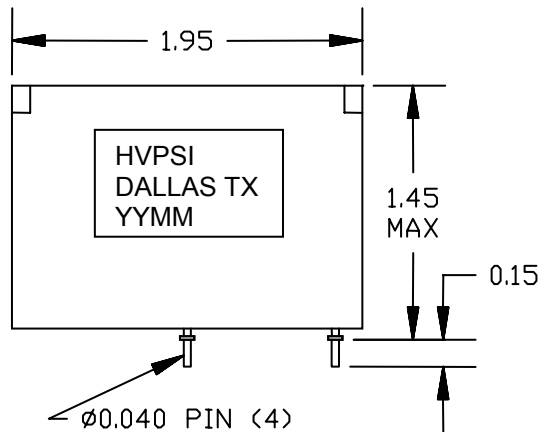


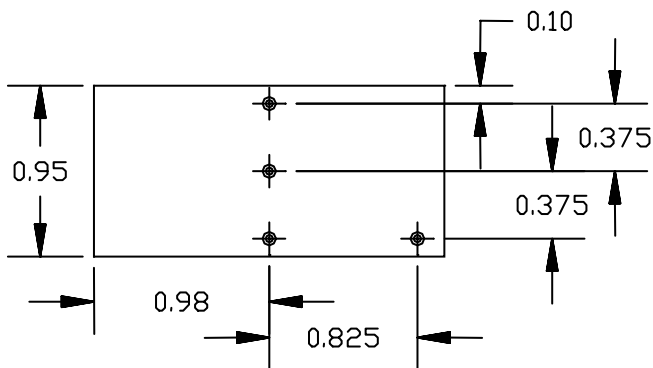
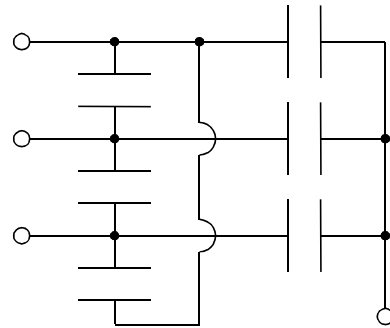
CUSTOM ENCAPSULATION EXAMPLE

3-PHASE CAPACITOR MODULE

Mechanical



Schematic Diagram



Capacitors:

Quantity: 6

Value: 0.01 μ F \pm 20%

Voltage: 250 / 500 VAC

TOLERANCES:

.XX \pm .050

.XXX \pm .015

Encapsulated in UL Listed Epoxy (94V-0)

NOTE: This specification represents one example of HVPSI's encapsulation capability. HVPSI can design modules to meet your requirements using a wide variety of components.



HIGH VOLTAGE
POWER SYSTEMS, INC.

2542 Highlander Way • Carrollton, TX 75006
Ph (972) 248-7691 • Fax (972) 381-9998